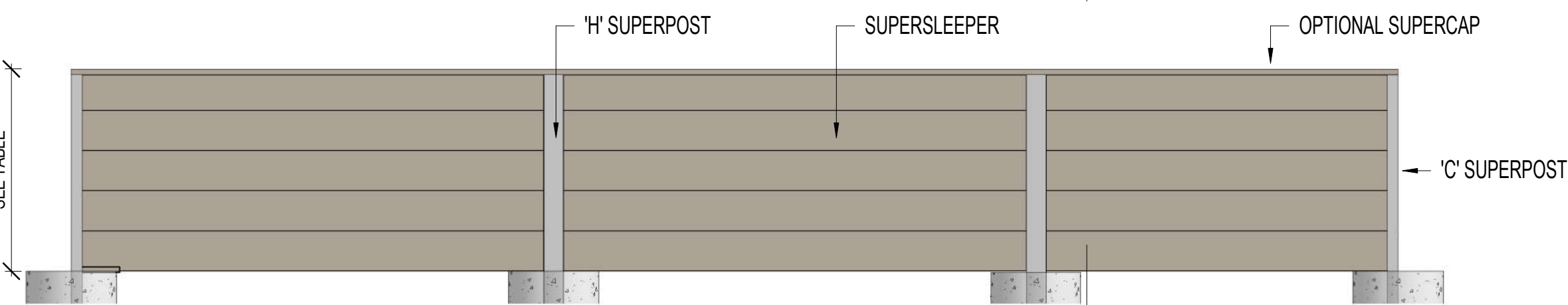


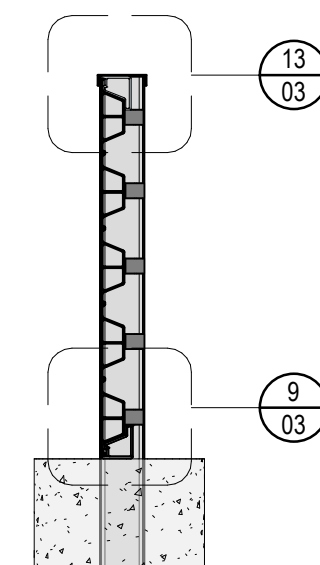
1 FLOOR PLAN

SCALE 1:25



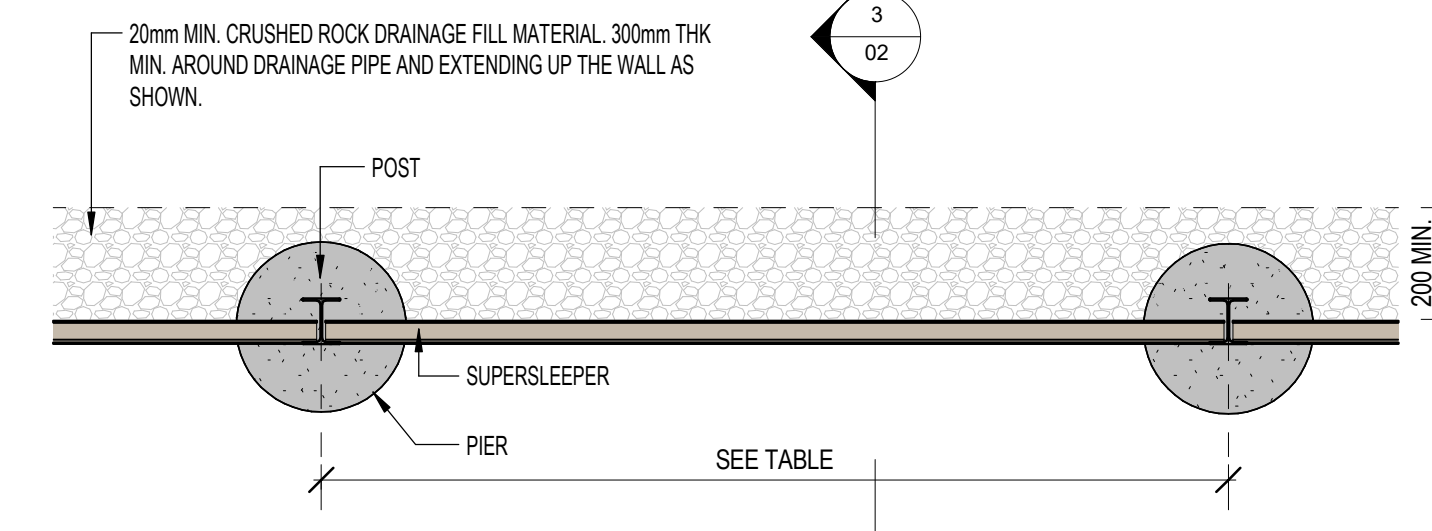
A ELEVATION

SCALE 1:25



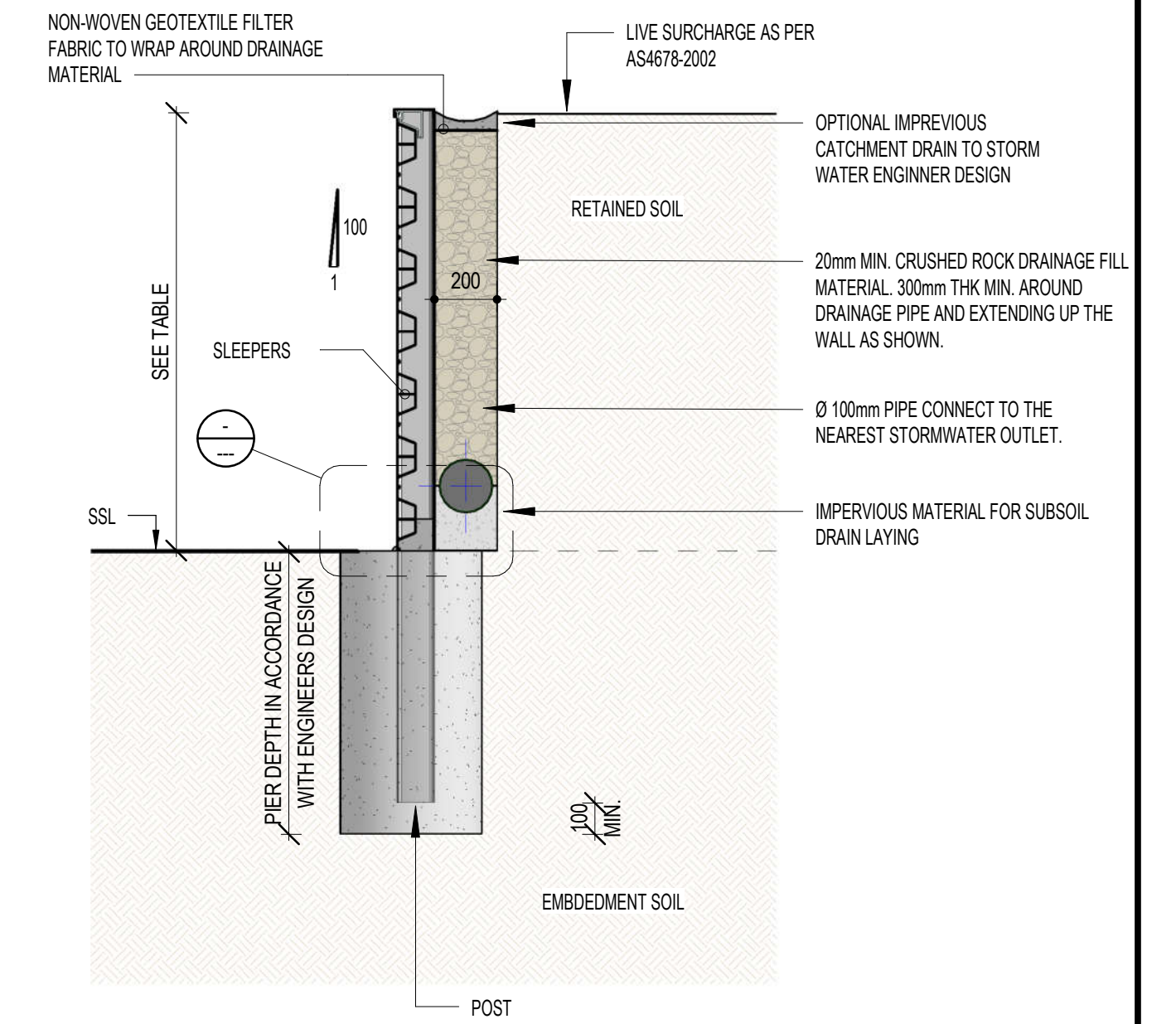
B SEC-B

SCALE 1:20



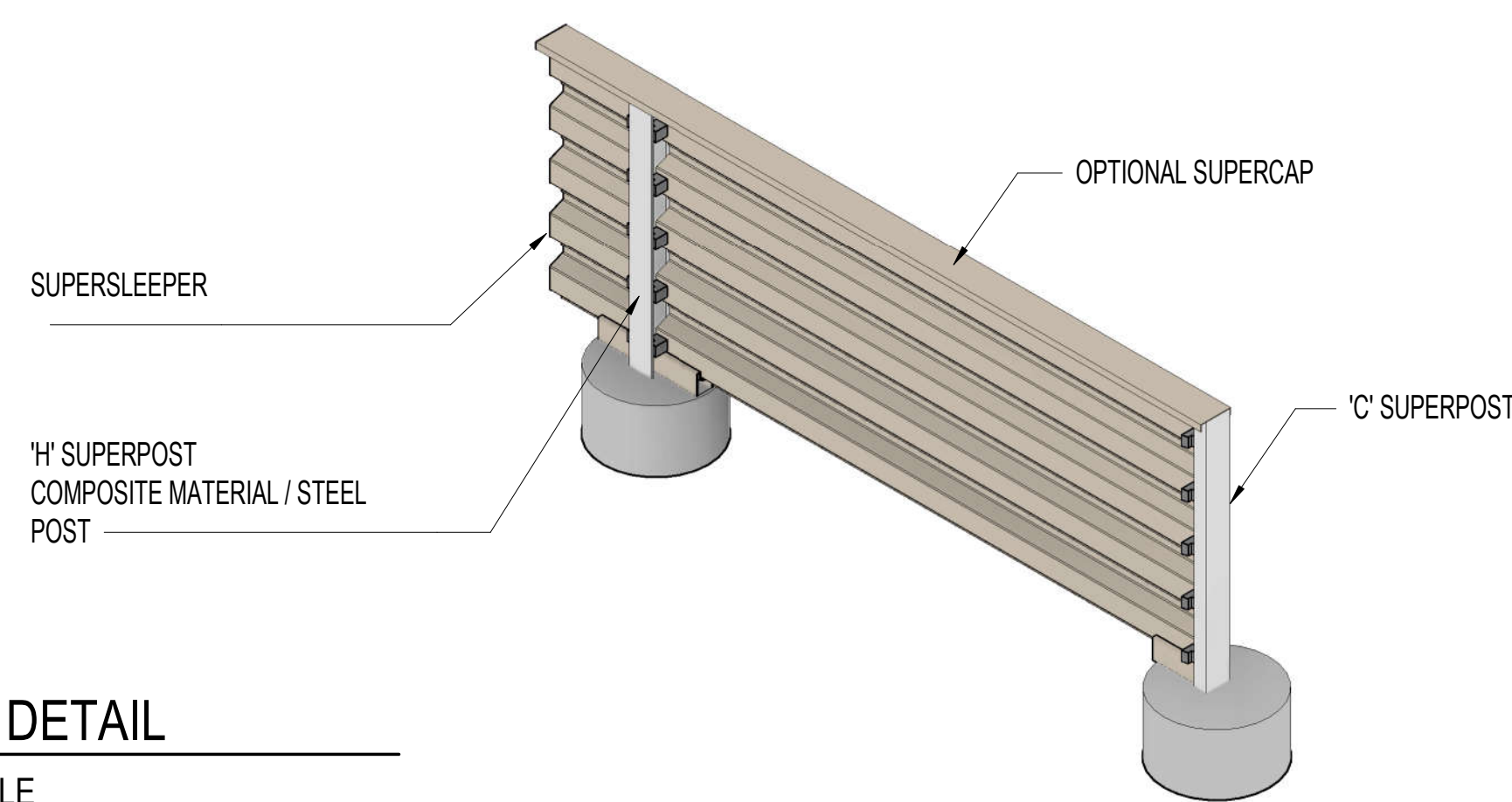
2 FLOOR PLAN DETAIL

SCALE 1:20



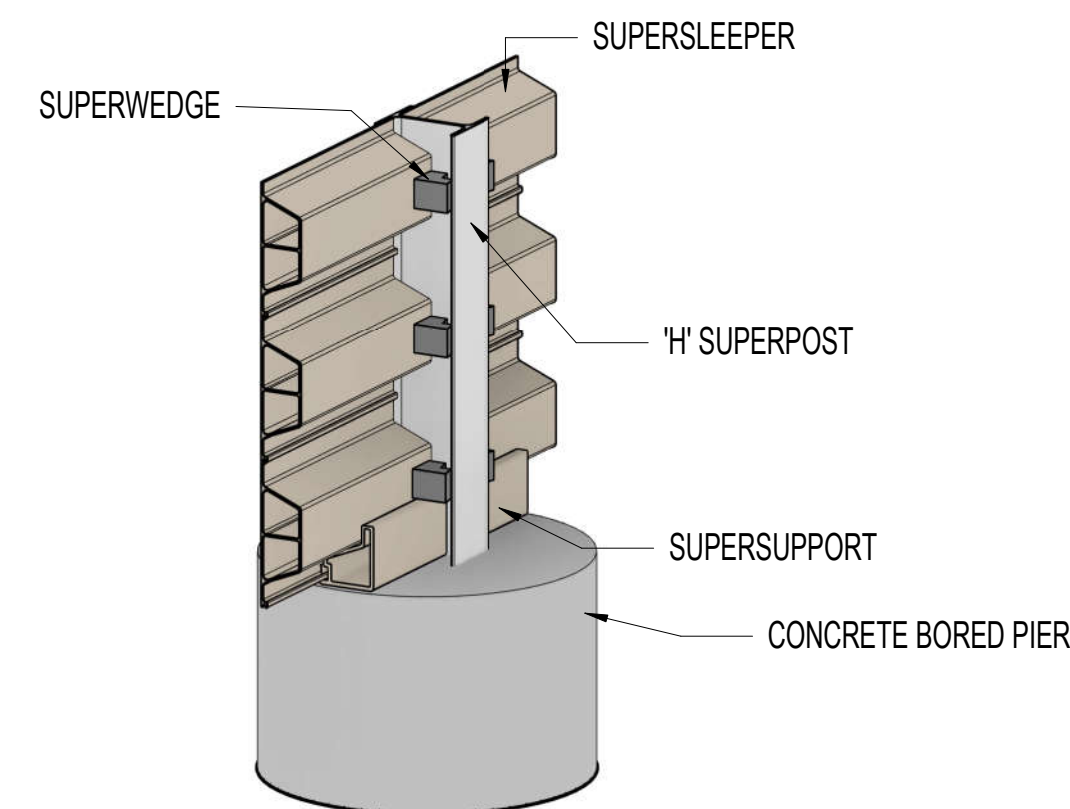
3 SECTION B

SCALE 1:20



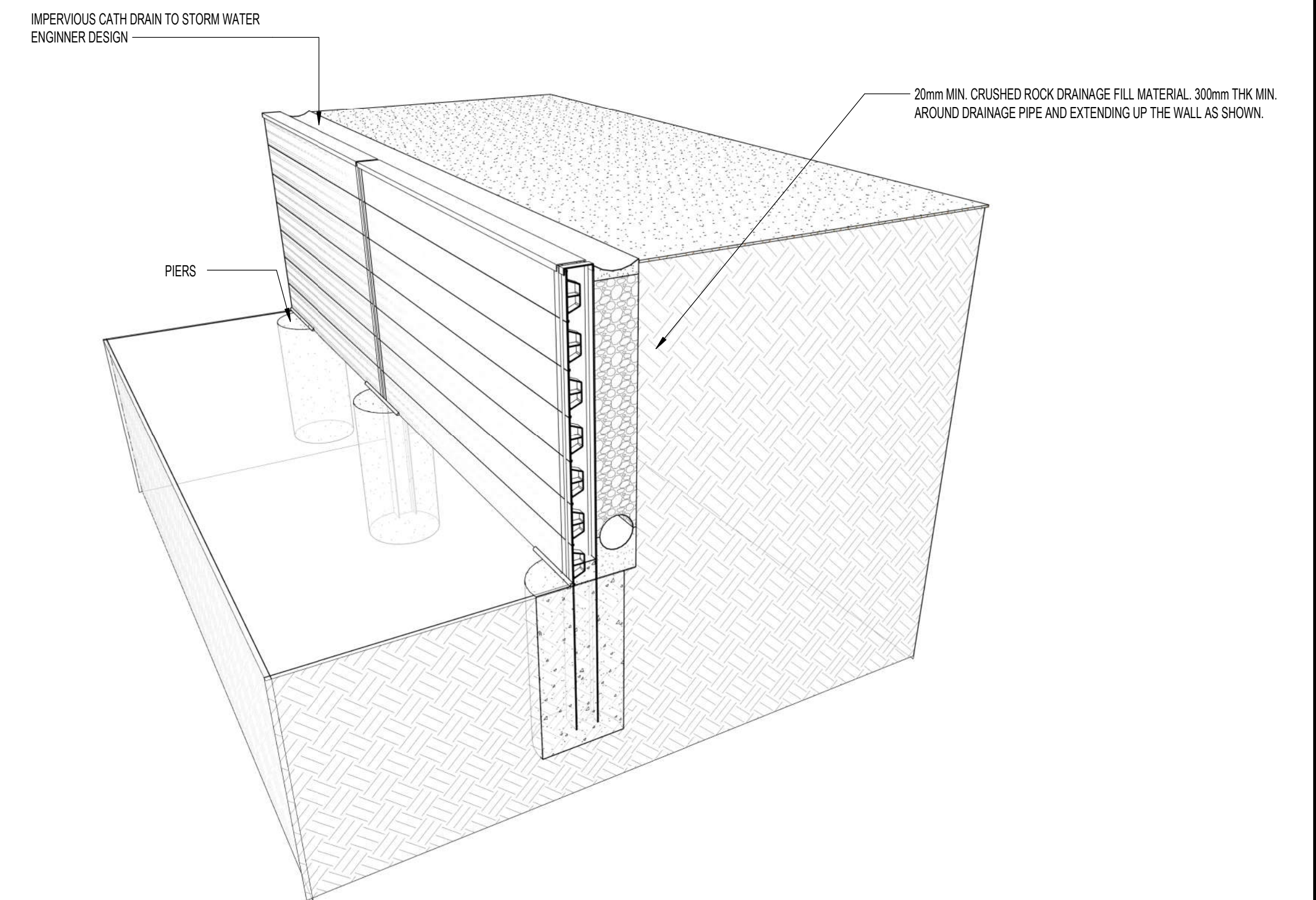
4 3D DETAIL

SCALE



5 3D DETAIL REVERSED

SCALE

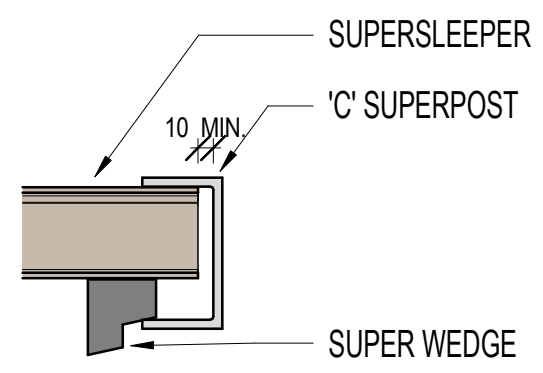


6 3D SECTION

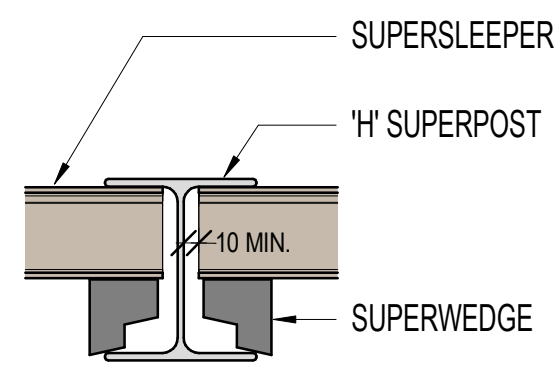
SCALE

SINGLE TIER RETAINING WALL - SOIL TYPE 1.1 - 5kPa						
WALL HEIGHT 'H'	FOOTING DEPTH 'D'	FOOTING SPACING 'S'	INTERMEDIATE POST	PILE DIA. 'PD'	END POST	POST EMBEDMENT
400	1000	2400	120H SUPERPOST	450	120C SUPERPOST	'D' - 100
600	1000	2400	120H SUPERPOST	450	120C SUPERPOST	'D' - 100
800	1200	2000	120H SUPERPOST	450	120C SUPERPOST	'D' - 100
1000	1400	2000	120H SUPERPOST	450	120C SUPERPOST	'D' - 100

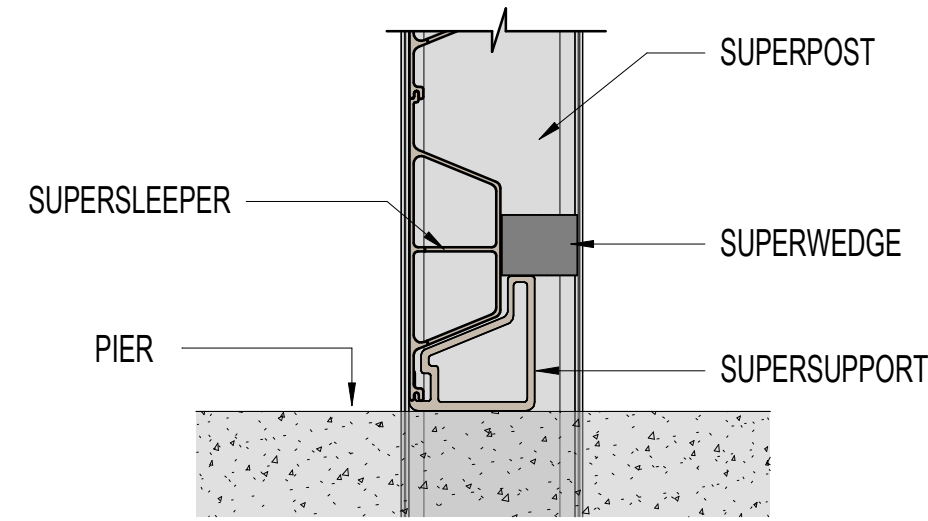
DRAWING TITLE



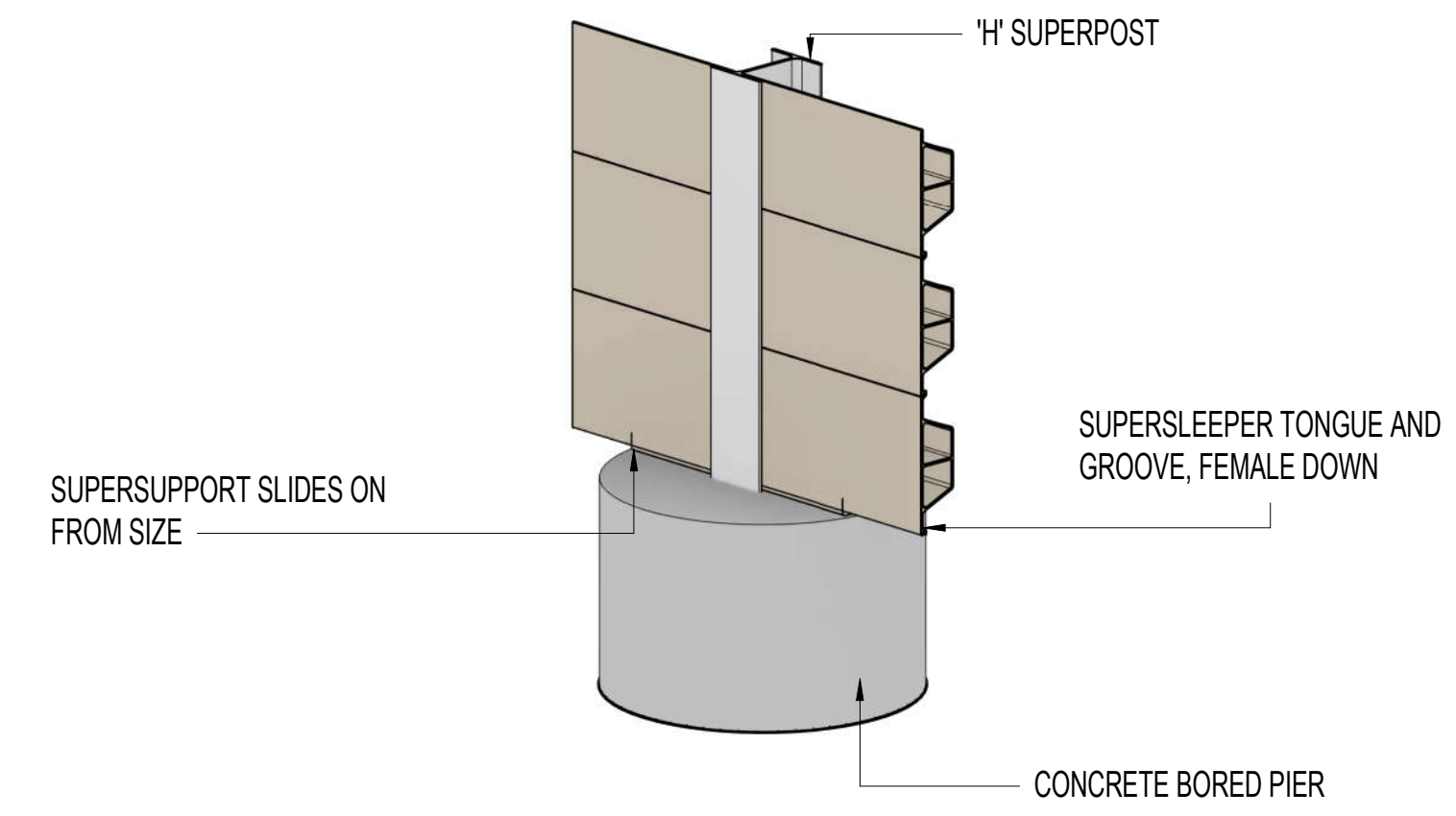
7 | 'C' SUPERPOST DETAIL
02 | SCALE 1:5



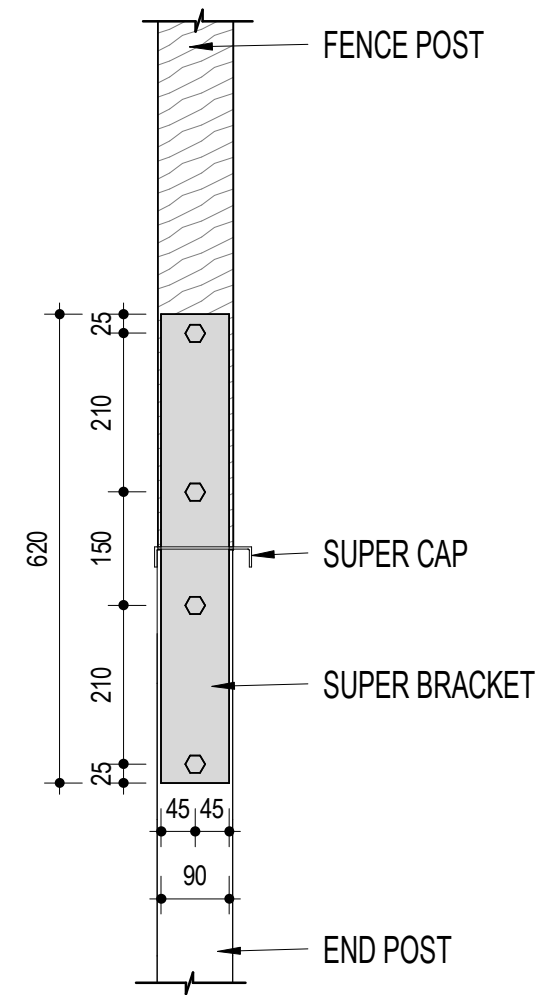
8 | 'H' SUPERPOST DETAIL
02 | SCALE 1:5



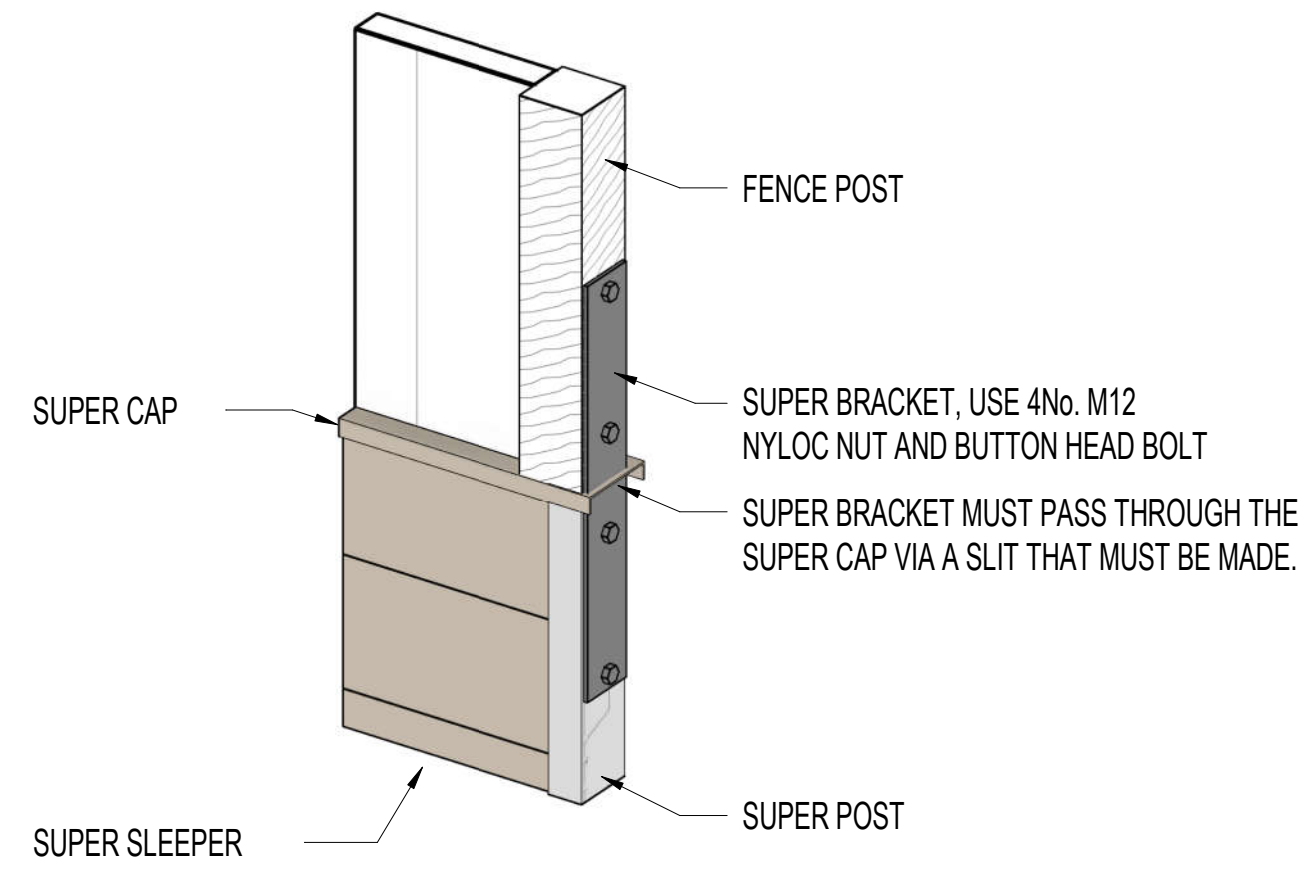
9 | SUPERSUPPORT DETAIL
02 | SCALE 1:5



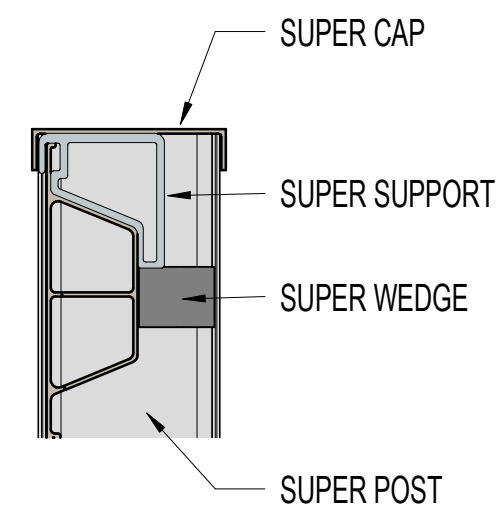
10 | BASE FIXING - 3D DETAIL
SCALE



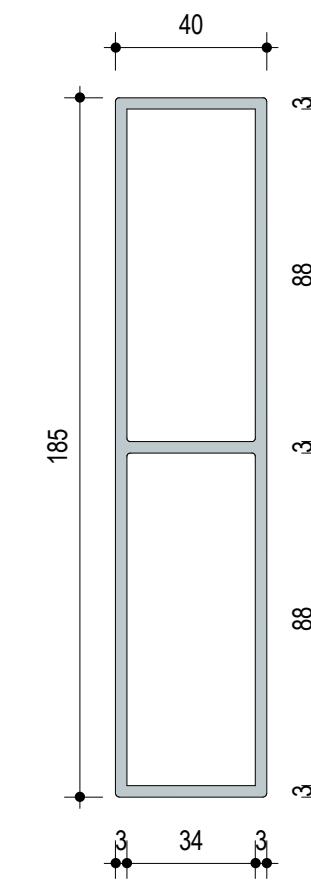
11 | SUPERBRACKET DETAIL
SCALE 1:10



12 | SUPERBRACKET DETAIL 3D
SCALE



13 | SUPERSUPPORT UNDER SUPERCAP
02 | SCALE 1:5



14 | SUPERPLINTH DETAIL
SCALE 1:2